

An abstract graphic on the left side of the page consists of numerous overlapping, flowing strands of fiber optic cables. The strands are rendered in a vibrant color palette, transitioning from deep blues and purples at the top to bright reds, oranges, and yellows at the bottom. The strands are curved and layered, creating a sense of depth and movement, as if they are being pulled or twisted together.

FTTX SOLUTIONS

Fiber to the power x


ProLabs
Unlock your connectivity

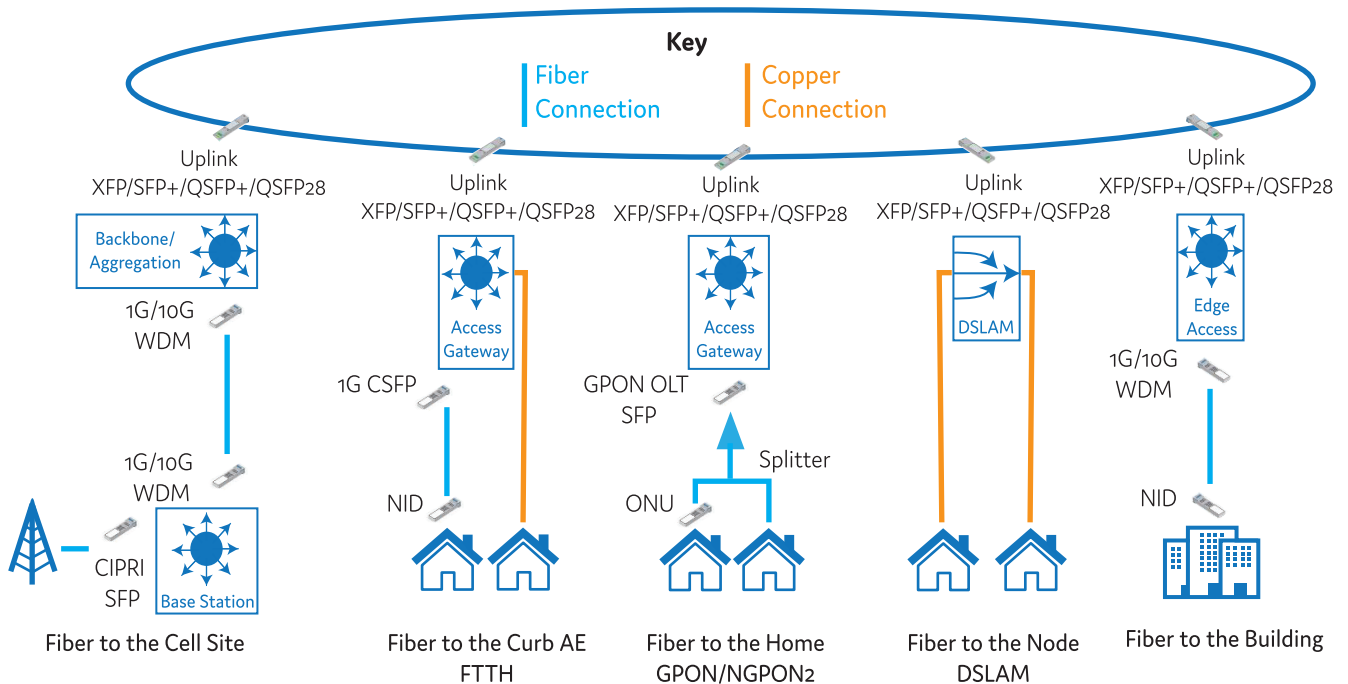
ProLabs has a full portfolio of Fiber to the Home OEM compatible transceivers. ProLabs carries a full line of GPON and Active Ethernet products compatible with the leading OEM platforms deployed by service providers. The H in FTTH is simply one of architectures that your FTTX strategy must support.

The ProLabs difference

ProLabs is uniquely positioned to be your strategic partner across each FTTX and deployment.

Key Benefits of ProLabs as your FTTX partner:

- A single source for each vendor compatible transceiver.
- A wider range of transceiver options than each individual OEM can support.
- Support legacy systems & obsolete OEMs.
- Interoperability knowledge.
- Quality assured product.
- Rapid delivery.
- 100% Compatibility.
- Lifetime warranty.



GPON Part Numbers - OLT

OEM	P/N	Description
ADTRAN®	1442530G1-C	GPON B+, ITEMP
Calix®	100-01782-C	GPON B+, CTEMP
Calix®	100-01783-C	GPON B+, ITEMP
Calix®	100-03417-C	GPON C+, CTEMP
Alcatel Lucent®	3FE53441AC-C	GPON B+, for 7360 & 7342 Platforms
Huawei®	GPON-OLT-B+-HW-C	B+ GPON Module
Huawei®	GPON-OLT-C+-HW-C	C+ GPON Module
MSA Standard	GPON-SFP-OLT-B+-NC	B+ GPON Module
MSA Standard	GPON-SFP-OLT-C+-NC	C+ GPON Module
MSA Standard	XGPON-XFP-OLT-I-NC	XG PON N1 OLT, 9.95GTx/2.5Rx, ITEMP
MSA Standard	XGSPON-N1-SFP-OLT-NC	XGS PON N1 OLT, 9.95GTx/9.95GRx/2.5GRx CTEMP
MSA Standard	XGSPON-N2-SFP-OLT-NC	XGS PON N2 OLT, 9.95GTx/9.95GRx/2.5GRx CTEMP
Zhone®	GPON-SFP-OLT-B+-NC	B+ GPON Module

EPON Part Numbers - OLT

OEM	P/N	Description
Alcatel Lucent®	3FE53606AA-C	EPON OLT, for 7360 & 7342 Platforms
Huawei®	RTXM168-418-C	EPON OLT
H3C	SFP-GE-PX20-D-SM1490-A	EPON OLT
MSA Standard®	EPON-SFP-OLT-NC	EPON OLT
Zhone®	EPON-SFP-OLT-NC	EPON OLT
ADTRAN®	1442548F1-C	10GEPON PR30 XFP, 1G/10G
MSA Standard®	10GEPON-SFP-OLT-I-NC	10GEPON PR30 10G

ONU with MAC "PON Stick"

OEM	P/N	Description
MSA Standard	EPON-ONUS-NC	EPON ONU w/MAC
MSA Standard	GPON-ONUS-NC	GPON ONU w/MAC

Active Ethernet - OLT

OEM	P/N	Description
ADTRAN®	1442020G1-C	CSFP - 20KM
ADTRAN®	1442140G1-C	1G SFP – BiDi 40KM Downstream
ADTRAN®	1442160G1-C	1G SFP – BiDi 60KM Downstream
ADTRAN®	1442180G1-C	1G SFP – BiDi 80KM Downstream
Allied Telesis®	CSFP-GEBX10-1490/1310-I-LC	CSFP – 20KM 1490/1310
Calix®	100 -01792-C	CSFP - 20KM
Calix®	100 -01671-C	1G SFP – BiDi 40KM Downstream
Calix®	100 -01673-C	1G SFP – BiDi 60KM Downstream
Zhone®	CSFP-GEBX20-1490/1310-I-LC-O2	CSFP – 20KM 1490/1310
Zhone®	CSFP-GEBX20-1550/1310-I-LC	CSFP – 20KM 1550/1310

Active Ethernet - ONT

OEM	P/N	Description
ADTRAN®	1442120G2-C	1G SFP– BiDi 20KM Upstream
ADTRAN®	1442140G2-C	1G SFP– BiDi 40KM Upstream
ADTRAN®	1442160G2-C	1G SFP– BiDi 60KM Upstream
ADTRAN®	1442180G2-C	1G SFP– BiDi 80KM Upstream
Allied Telesis®	AT-SPBD10-13-C	1G SFP– BiDi 20KM Upstream
Calix®	100 -01668-C	1G SFP– BiDi 20KM Upstream
Calix®	100 -01670-C	1G SFP– BiDi 40KM Upstream
Calix®	100 -01672-C	1G SFP– BiDi 60KM Upstream
Zhone®	SFP-GEBX20-31/49ZH-I-C	1G SFP– BiDi 20KM Upstream 1310/1490
Zhone®	SFP-GEBX40-31/49ZH-I-C	1G SFP– BiDi 40km 1310Tx/1490Rx

CPRI Part Numbers

OEM	P/N	Description
MSA Standard [®]	SFP-CPRI-10G-LRL-I-NC	10G CPRI 2KM, ITEMP
MSA Standard [®]	SFP-CPRI-10G-LR-I-NC	10G CPRI 10KM, ITEMP
MSA Standard [®]	SFP-CPRI-10G-ER-I-NC	10G CPRI 40KM, ITEMP
MSA Standard [®]	SFP-CPRI-10G-ZR-I-NC	10G CPRI 80KM, ITEMP
MSA Standard [®]	CBXx-1Gyy80-NC	1G CPRI HD CWDM 80KM, ITEMP
MSA Standard [®]	CBXx-2.5Gyy80-NC	2.5G CPRI HD CWDM 80KM, ITEMP
MSA Standard [®]	CBXx-10Gyy40-NC	10G CPRI HD CWDM 40KM, ITEMP

Why ProLabs?

ProLabs offers the ability to seamlessly integrate the transceiver with existing network equipment by offering tested and assured compatibility.

Visit www.prolabs.com for more connectivity solutions.

